



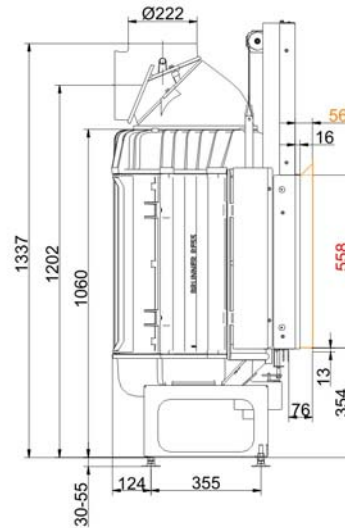
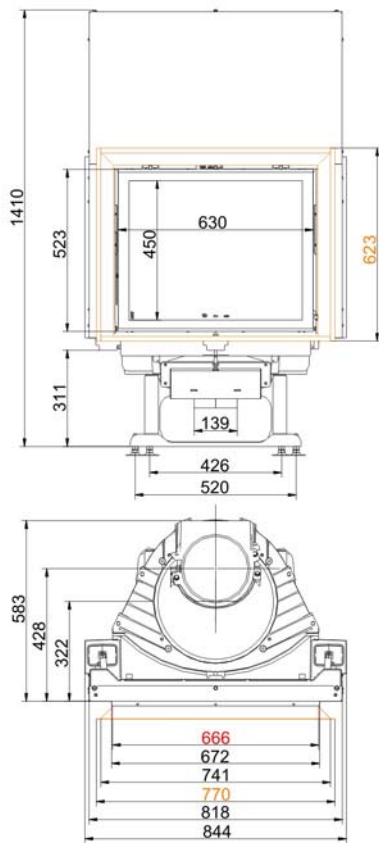
RF 55.2f lifting doors

Version 1.0



BRUNNER[®]
made in germany

Dimension sheet | **RF 55.2f lifting doors**



... with cast iron dome

Planning and installation

RF 55.2f

Tested according to		EN 13229 W	EN 13229 WA	EN 13229 W
Values measured at		nominal load	accumulation	open door
Suitable for all construction types according to rules		OK	OK	OK
Data for functional demonstration				
Rated heat power	kW	9	-	-
Firewood consumption	kg/h	2,5	4,8	2
Combustion performance	kW	11,5	20	10
Flue gas mass flow	g/s	14	21	50
Outlet temperature (before heating surface)	°C	410	510	-
Flue gas temperature after				
attached steel smoke hood	°C	260	-	120
1 x adjoining cast iron radiator (GNF10)	°C	170	220	-
6 x accumulation rings (MAS) ¹⁾	°C	-	220	-
3 m adjoining ceramic accumulator ²⁾	°C	-	-	-
1,7 m ceramic modular accumulator (KMS system)	°C	-	165	-
water boiler	°C	-	-	-
Necessary supply pressure	Pa	12	14	10
Combustion air consumption	m³/h	40	58	66
Combustion air connection Ø	mm	125	125	-
Heat distribution				
Insert / heating surface	%	30 / 30	30 / 30	- / -
Glass (single / double)	%	40 / -	40 / -	- / -
Boiler	%	-	-	-
Cross-section of gratings for max. warm air power				
Supply air	cm²	800	800	0
Warm air	cm²	800	800	0
Minimal oven surface for closed construction type				
Surface giving off heat	m²	-	-	-
Space inside oven chamber				
Distance to oven chamber wall	cm	8	8	-
Distance to floor	cm	15	15	-
Heat insulation without / with ³⁾ air gratings				
Wall	cm	14 / 10	14 / 10	14 / 10
Floor	cm	4 / 0	4 / 0	4 / 0
Ceiling	cm	16 / 12	16 / 12	16 / 12
Insulation of additional fire door DHT	cm	-	-	-
Brick lining of protected walls	cm	10	10	10
Weight				
Fireplace + burning chamber	kg		190 + 68	
Approvals				
Germany / Austria / Switzerland		1.BImSchV (Stufe 1) / 15a BVG / LRV		

1) Throttle flap recommended

2) Approximate value, must be calculated eventually

3) Values with air gratings, stove casing is heat conducting

Ulrich Brunner GmbH
 Zellhuber Ring 17 -18
 D-84307 Eggenfelden
 Phone: +49 / (0)87 21 / 7 71-0
 Fax: +49 / (0)87 21 / 7 71-100
 info@brunner.de | www.brunner.de



BRUNNER products are offered and sold only by qualified dealers and service centres.
 Subject to technical and assortment changes. Errors excepted. (7/10)