



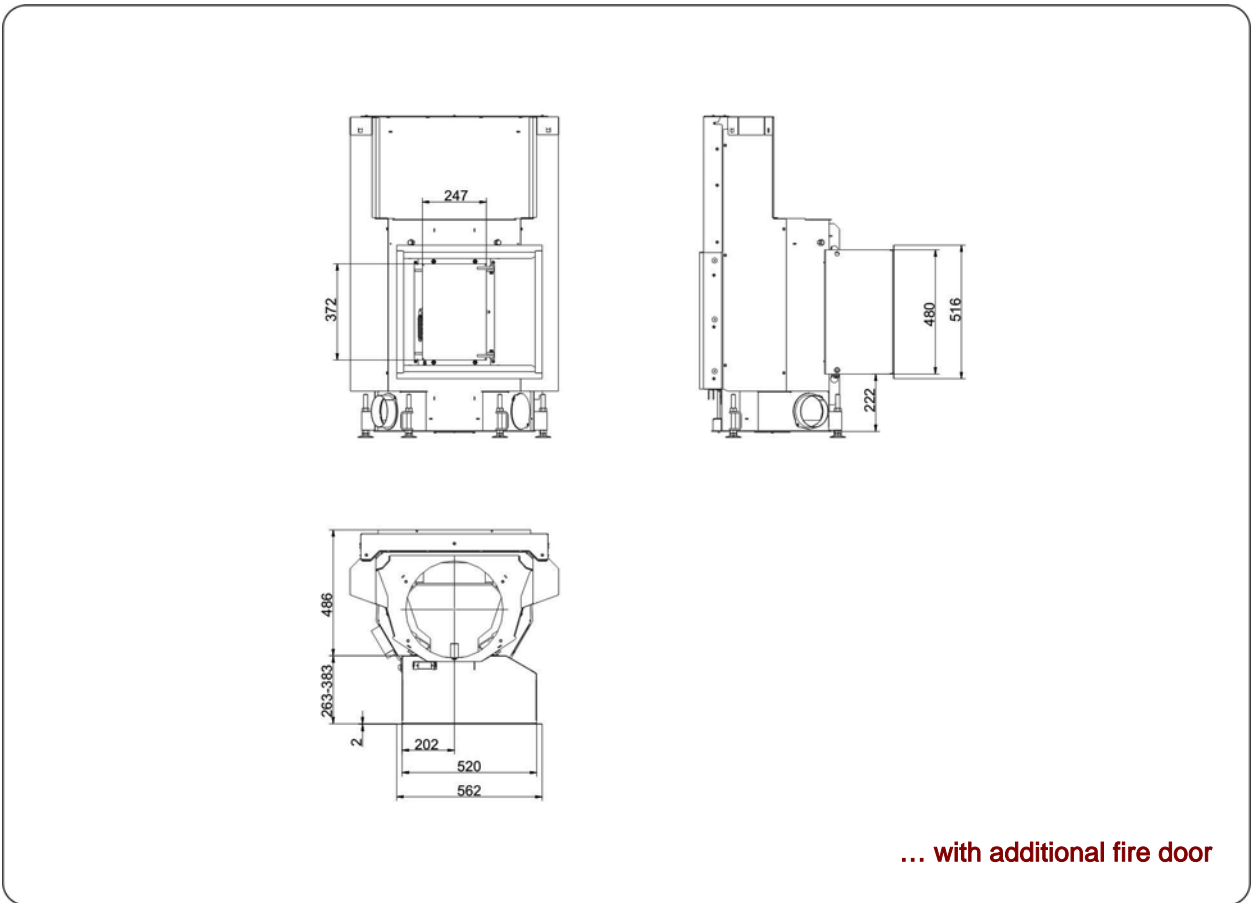
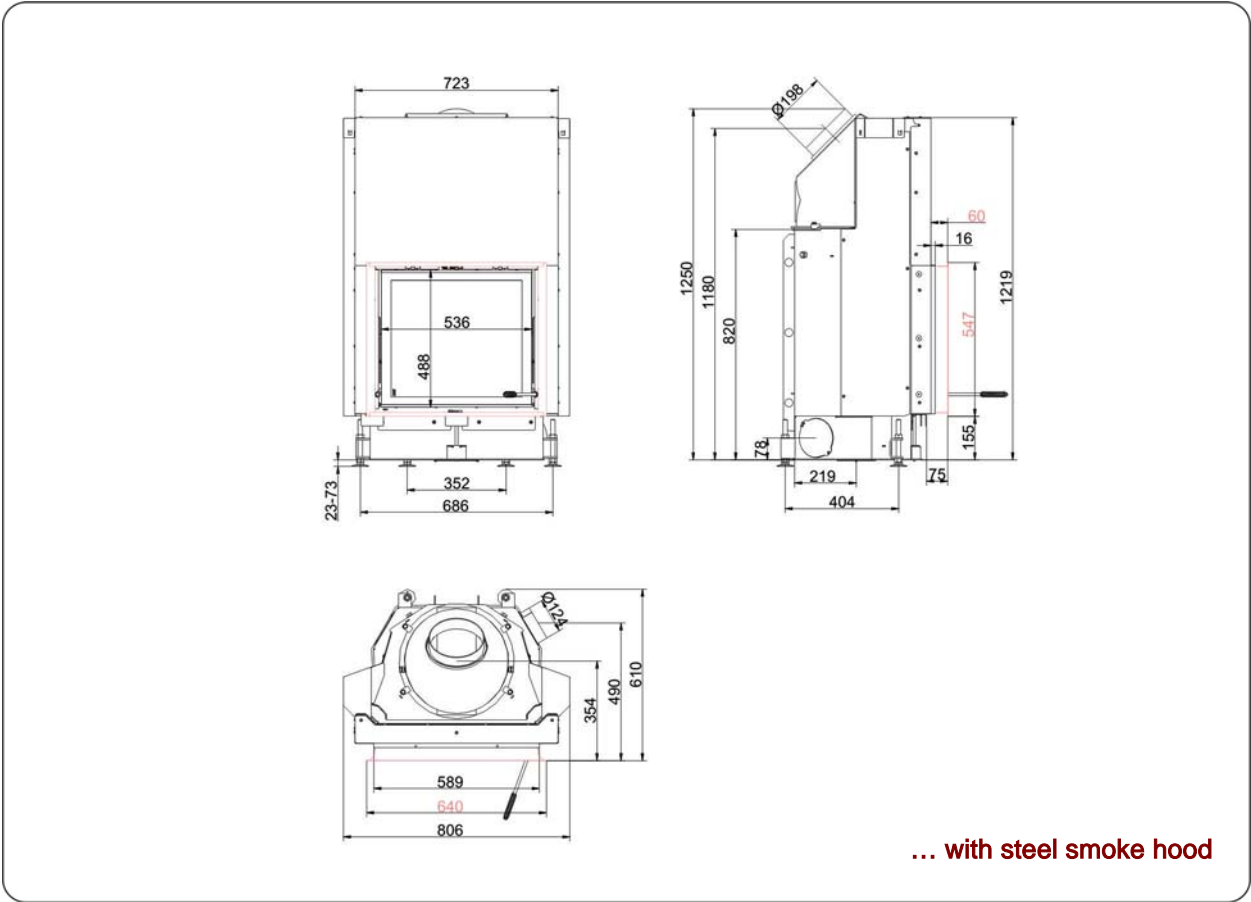
Kompakt-Kamin 51/55 flat lifting doors

Version 4.3



BRUNNER[®]
made in germany

Dimension sheet | **Kompakt-Kamin 51/55 flat lifting doors**



We suggest for CAD planing Palette CAD. Permanent updated drawings: www.brunner.de
 Frames / front versions are marked colored.

Planning and installation

Kompakt-Kamin 51/55 flat

Tested according to	EN 13229 W	EN 13229 WA	EN 13229 W	
Values measured at	nominal load	accumulation	open door	
Suitable for all construction types according to rules	OK	OK	OK	
Data for functional demonstration				
Rated heat power	kW	8	-	-
Firewood consumption	kg/h	2,5	4	2,5
Combustion performance	kW	10	17	11
Flue gas mass flow	g/s	10	20	50
Outlet temperature (before heating surface)	°C	-	340	-
Flue gas temperature after				
attached steel smoke hood	°C	250	-	120
1 x adjoining cast iron radiator (GNF10)	°C	-	160	-
6 x accumulation rings (MAS) ¹⁾	°C	-	205	-
2 m adjoining ceramic accumulator ²⁾	°C	-	-	-
ceramic modular accumulator (KMS system)	°C	-	-	-
water boiler	°C	-	-	-
Necessary supply pressure	Pa	12	13	10
Combustion air consumption	m ³ /h	35	35	76
Combustion air connection Ø	mm	125	125	-
Heat distribution				
Insert / heating surface	%	30 / 30	30 / 30	- / -
Glass (single / double)	%	40 / -	40 / -	- / -
Boiler	%	-	-	-
Cross-section of gratings for max. warm air power				
Supply air	cm ²	500	700	0
Warm air	cm ²	500	700	0
Minimal oven surface for closed construction type				
Surface giving off heat	m ²	3,8	3,8	-
Space inside oven chamber				
Distance to oven chamber wall	cm	8	8	8
Distance to floor	cm	-	-	-
Heat insulation without / with ³⁾ air gratings				
Wall	cm	14 / 10	14 / 10	14 / 10
Floor	cm	4 / 2	4 / 2	4 / 2
Ceiling	cm	20 / 14	20 / 14	20 / 14
Insulation of additional fire door DHT	cm	6	6	6
Brick lining of protected walls	cm	10	10	10
Weight				
Fireplace + burning chamber	kg		128 + 65	
Approvals				
Germany / Austria / Switzerland				1.BImSchV (Stufe 1) / 15a BVG / LRV

1) Throttle flap recommended

2) Approximate value, must be calculated eventually

3) Values with air gratings, stove casing is heat conducting

Ulrich Brunner GmbH
Zellhuber Ring 17 -18
D-84307 Eggenfelden
Phone: +49 / (0)87 21 / 7 71-0
Fax: +49 / (0)87 21 / 7 71-100
info@brunner.de | www.brunner.de



BRUNNER products are offered and sold only by qualified dealers and service centres.
Subject to technical and assortment changes. Errors excepted. (7/10)