



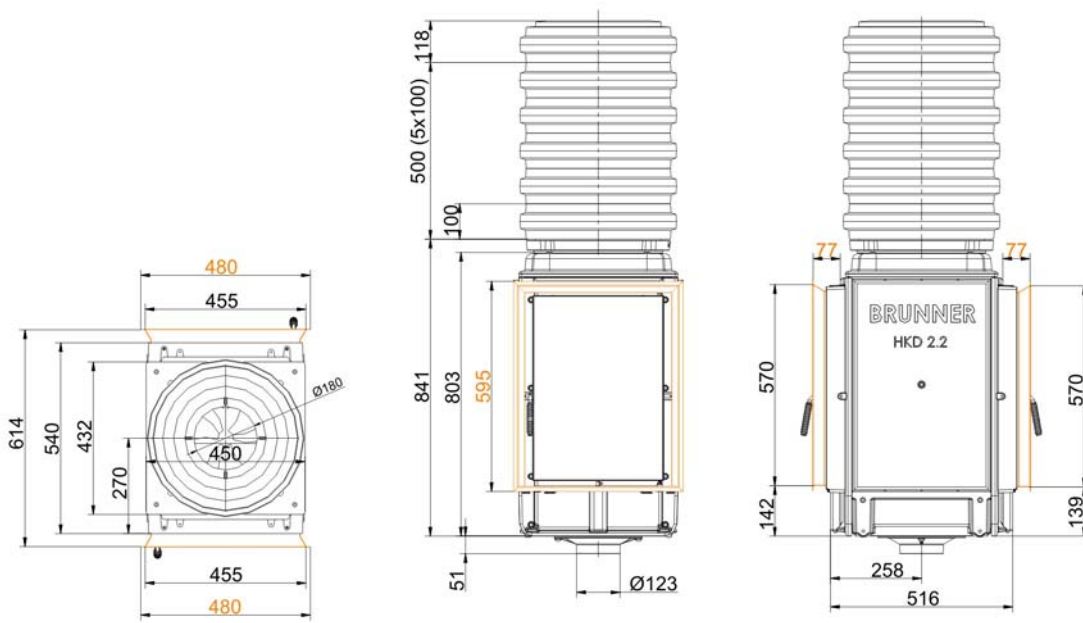
HKD 2.2 Tunnel

Version 1.10

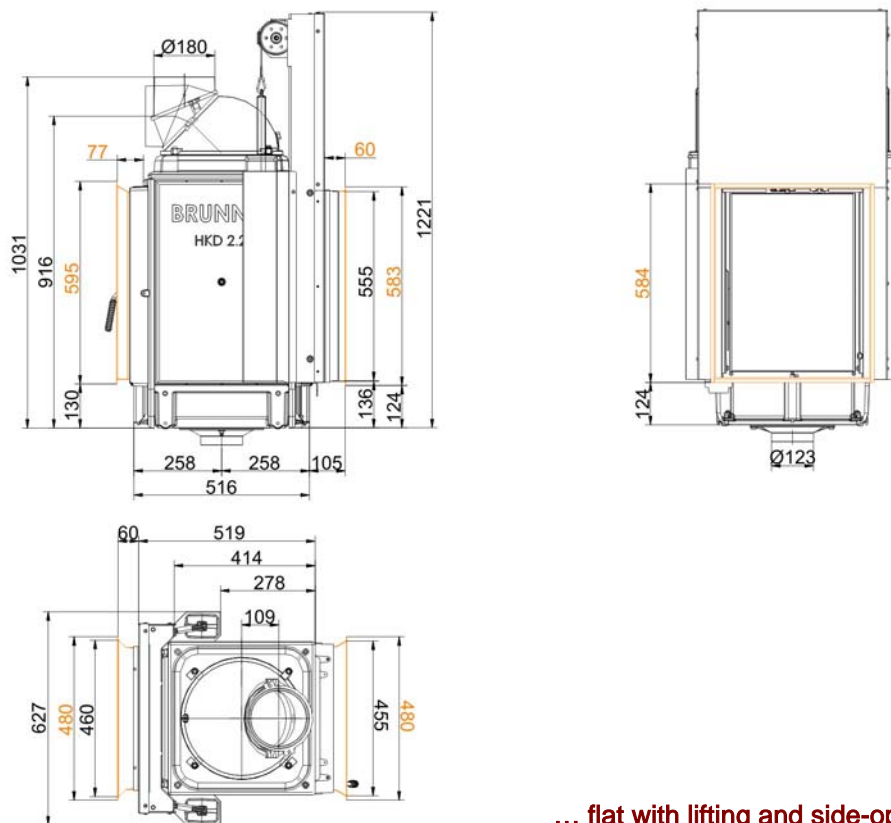


BRUNNER[®]
made in germany

Dimension sheet | **HKD 2.2 Tunnel**

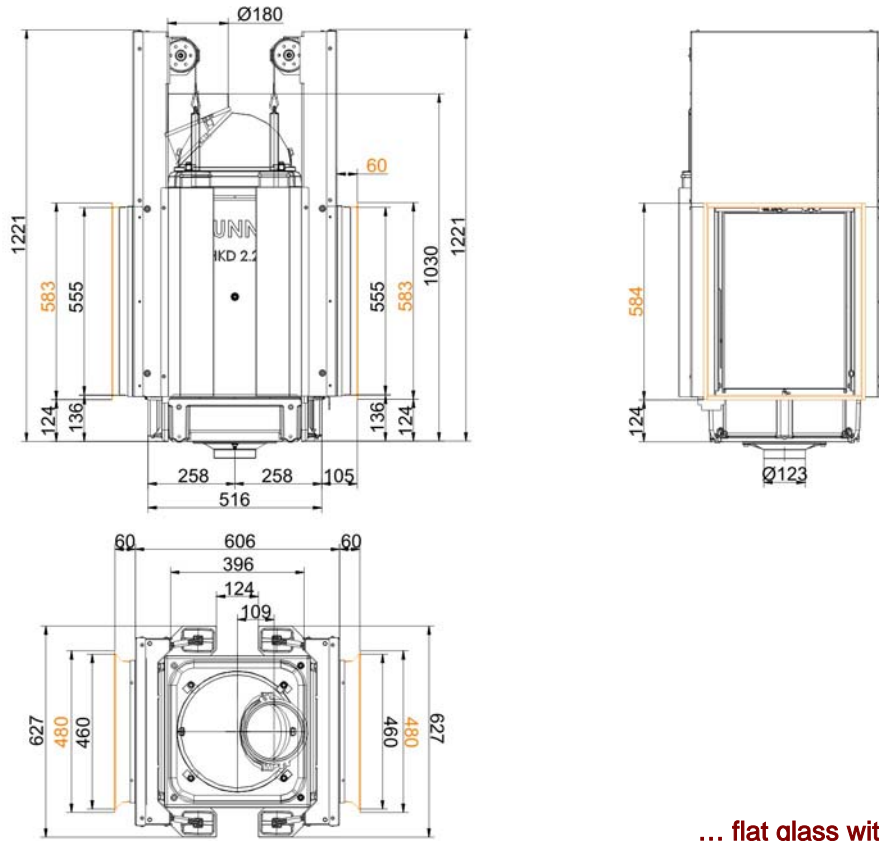


... flat glass with MAS and stell door frame

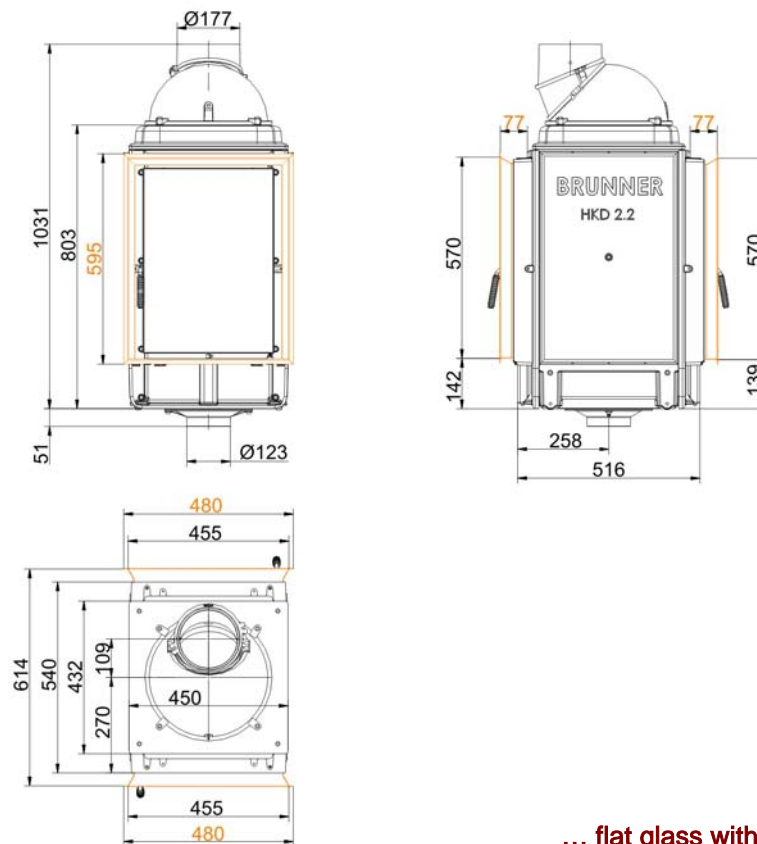


... flat with lifting and side-opening doors

Dimension sheet | **HKD 2.2 Tunnel**



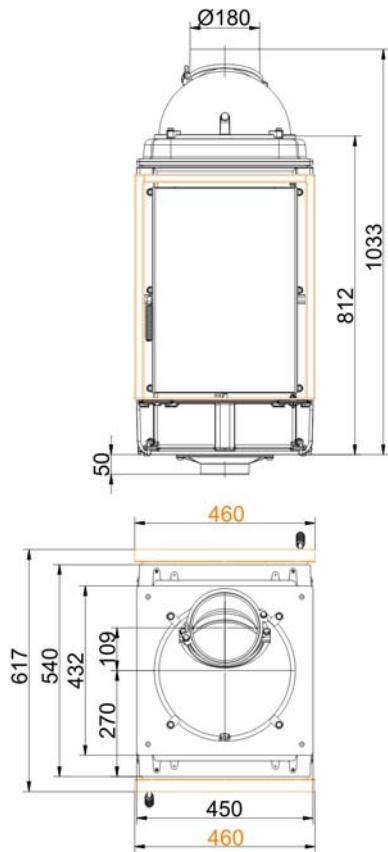
... flat glass with lifting door



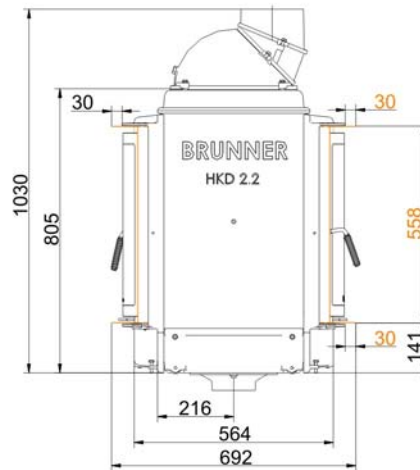
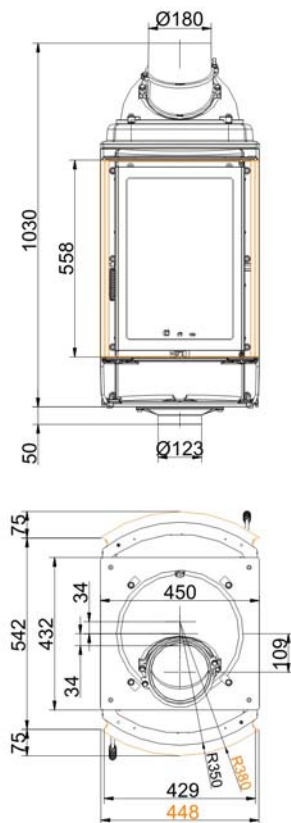
... flat glass with steel door frame

We suggest for CAD planing Palette CAD. Permanent updated drawings: www.brunner.de
 Frames / front versions are marked colored.

Dimension sheet | **HKD 2.2 Tunnel**

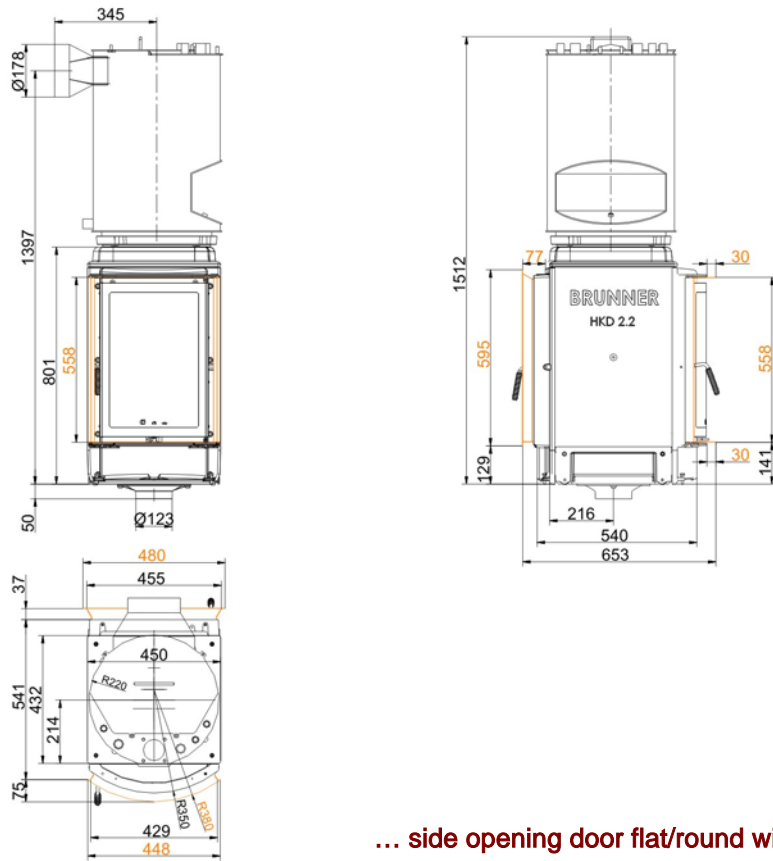


...flat with mounting frame made of crude steel



... round glass with steel door frame

Dimension sheet | HKD 2.2 Tunnel



... side opening door flat/round with boiler module

Planning and installation

HKD 2.2 Tunnel

Tested according to		EN 13229 W	EN 13229 WA
Values measured at		nominal load	accumulation
Suitable for all construction types according to rules		OK	OK
Data for functional demonstration			
Rated heat power	kW	9	-
Firewood consumption	kg/h	2,5	4
Combustion performance	kW	11	17
Flue gas mass flow	g/s	10	17
Outlet temperature (before heating surface)	°C	495	520
Flue gas temperature after			
attached steel smoke hood	°C	-	-
1 x adjoining cast iron radiator (GNF10)	°C	122	165
6 x accumulation rings (MAS) ¹⁾	°C	220	-
4,5 m adjoining ceramic accumulator ²⁾	°C	-	180
3,5 m ceramic modular accumulator (KMS system)	°C	-	180
water boiler	°C	210	-
Necessary supply pressure	Pa	12	15
Combustion air consumption	m ³ /h	25	45
Combustion air connection Ø	mm	125	125
Heat distribution			
Insert / heating surface	%	40 / 30 - 35	40 / 30 - 35
Glass (single / double)	%	30 / 25	30 / 25
Boiler	%	-	-
Cross-section of gratings for max. warm air power			
Supply air	cm ²	1300	1300
Warm air	cm ²	1300	1300
Space inside oven chamber			
Distance to oven chamber wall	cm	6	8
Distance to floor	cm	15	15
Heat insulation without / with ³⁾ air gratings			
Wall	cm	12 / 8	12 / 8
Floor	cm	0	0
Ceiling	cm	22 / 16	22 / 16
Insulation of additional fire door DHT	cm	-	-
Brick lining of protected walls	cm	10	10
Weight			
Fireplace + burning chamber	kg	199 + 46	
Approvals			
Germany / Austria / Switzerland		1.BImSchV (Stufe 1+2) / 15a BVG / LRV	

- 1) Throttle flap recommended
- 2) Approximate value, must be calculated eventually
- 3) Values with air gratings, stove casing is heat conducting

Ulrich Brunner GmbH
 Zellhuber Ring 17 -18
 D-84307 Eggenfelden
 Phone: +49 / (0)87 21 / 7 71-0
 Fax: +49 / (0)87 21 / 7 71-100
 info@brunner.de | www.brunner.de



BRUNNER products are offered and sold only by qualified dealers and service centres.
 Subject to technical and assortment changes. Errors excepted. (7/10)