



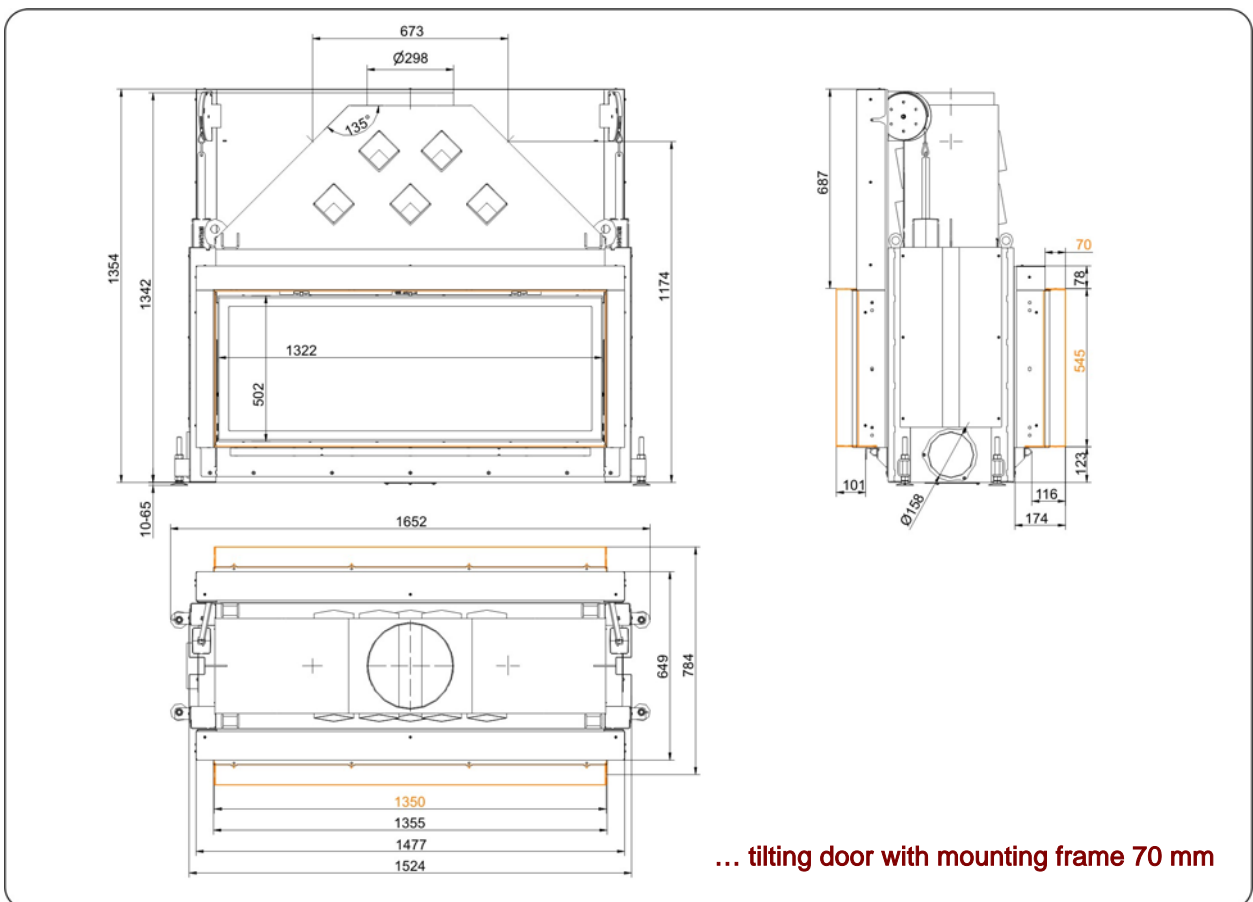
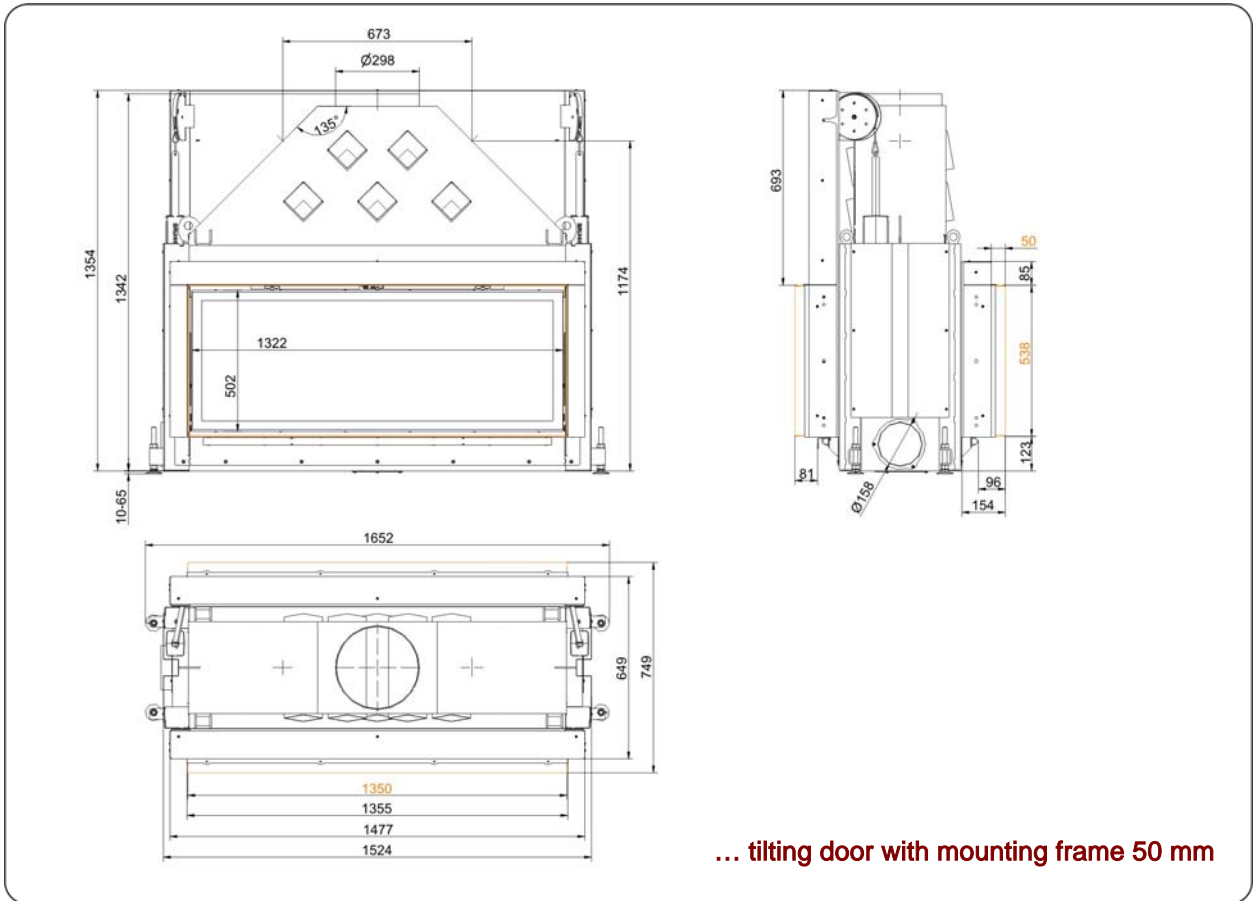
## Architektur-Tunnel 53/135 lifting doors

Version 4.7



**BRUNNER**<sup>®</sup>  
*made in germany*

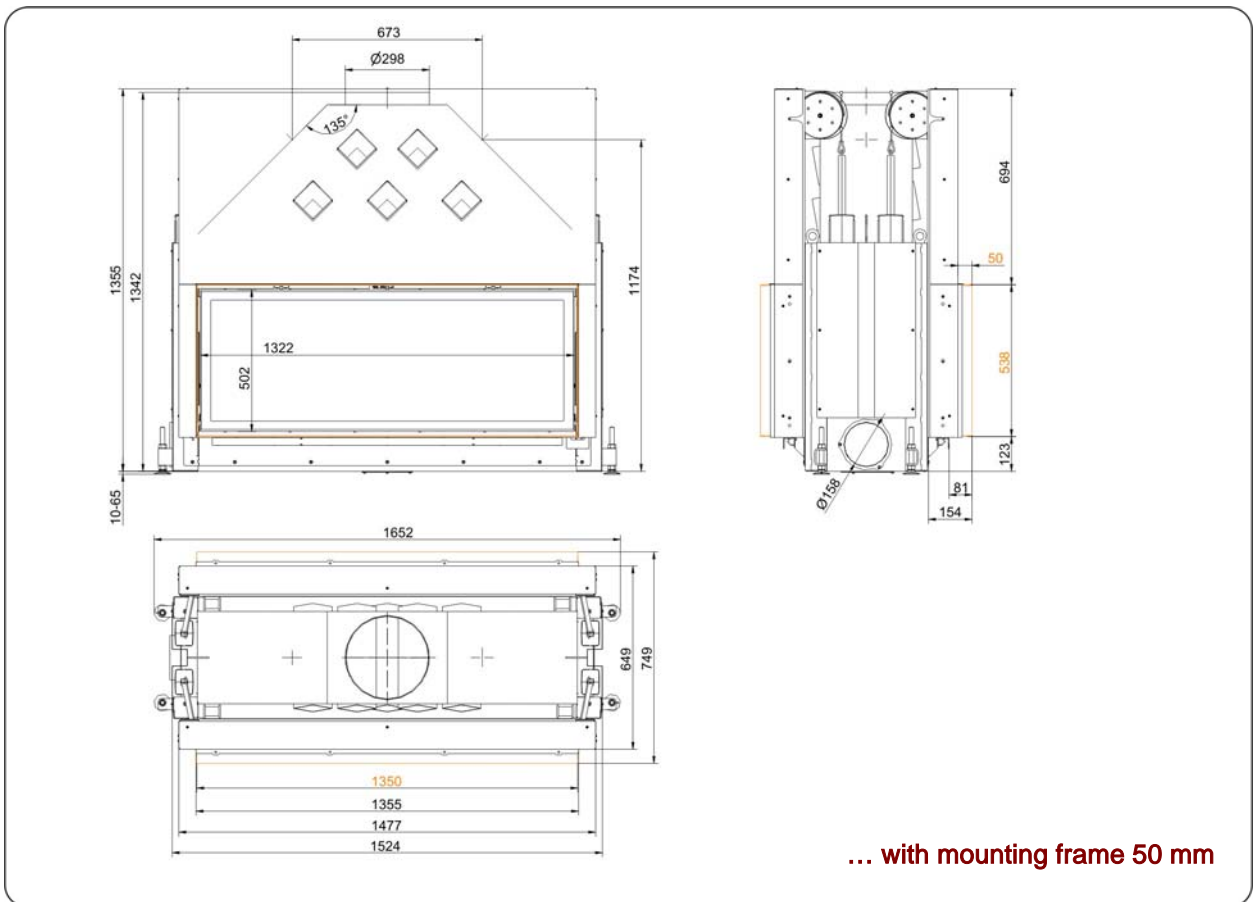
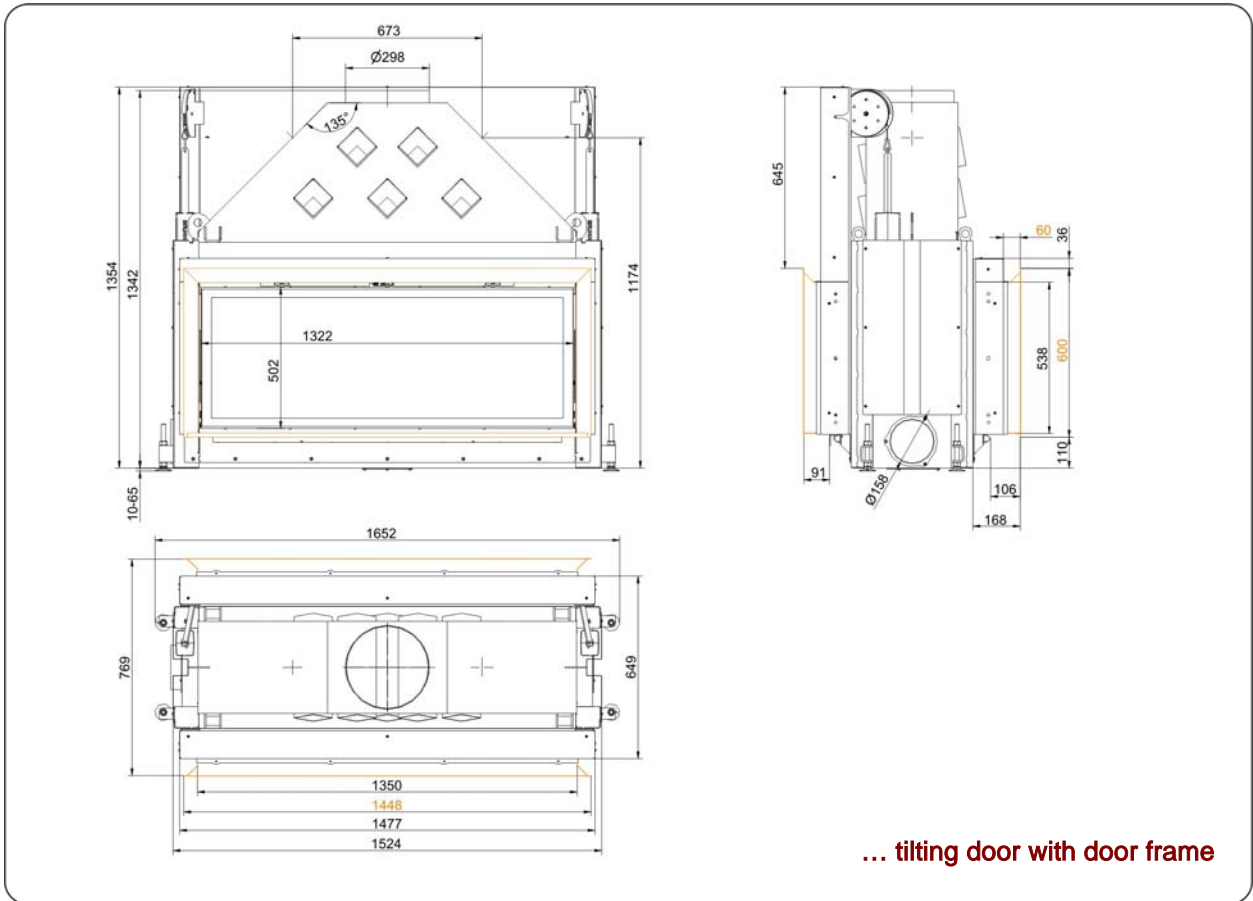
Dimension sheet | **Architektur-Tunnel 53/135 lifting doors**



We suggest for CAD planing Palette CAD. Permanent updated drawings: [www.brunner.de](http://www.brunner.de)

Frames / front versions are marked colored. Smoke pipe adapter fixed on the side is available against surcharge.

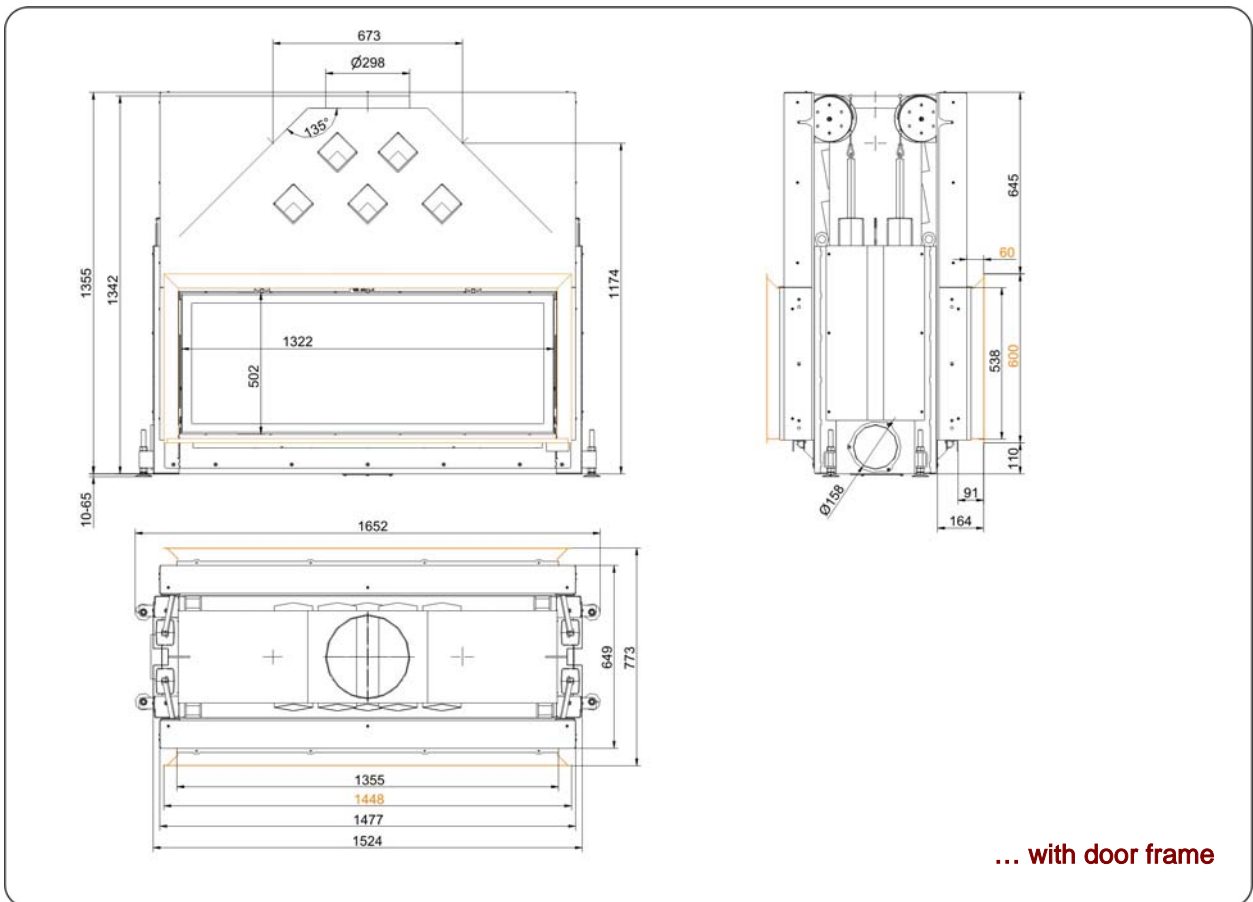
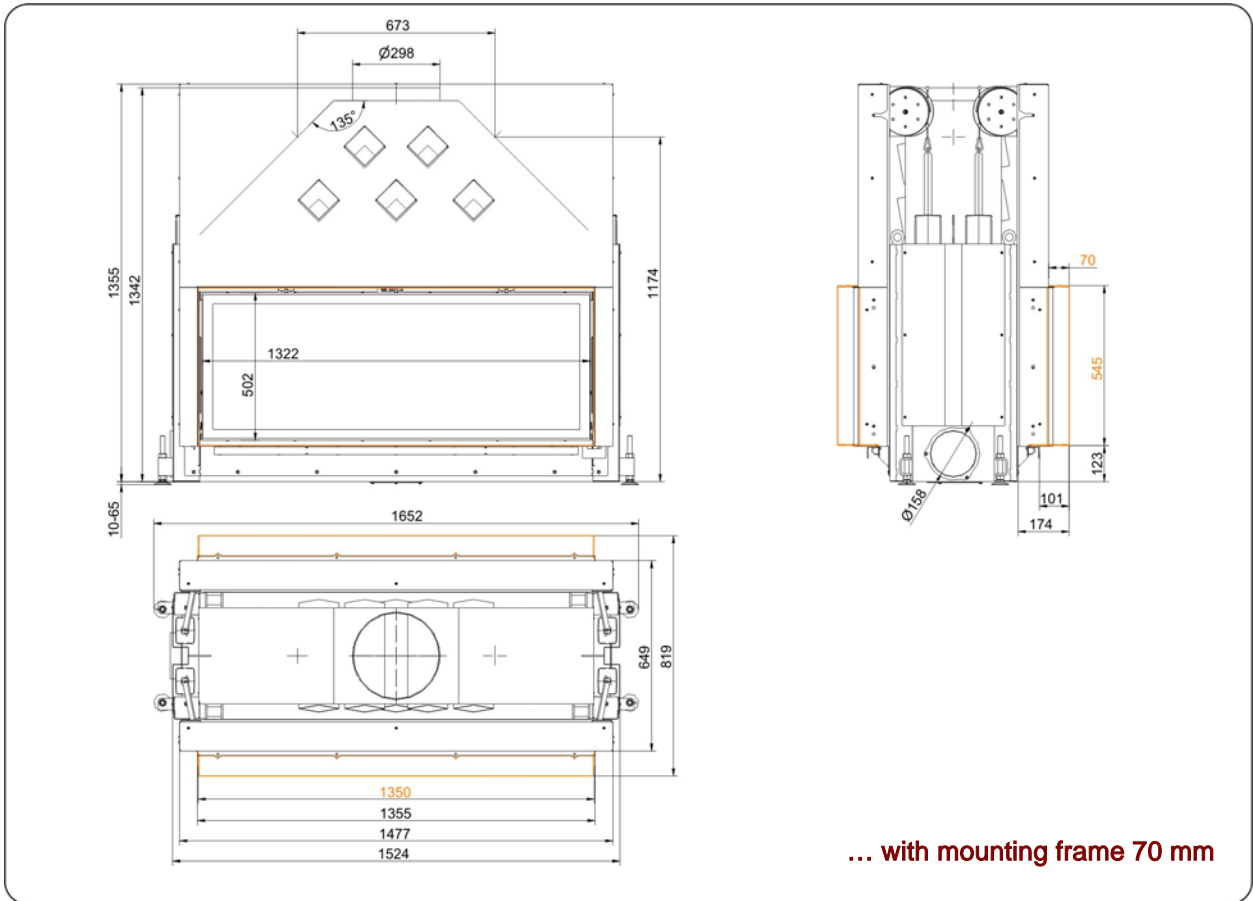
Dimension sheet | **Architektur-Tunnel 53/135 lifting doors**



We suggest for CAD planing Palette CAD. Permanent updated drawings: [www.brunner.de](http://www.brunner.de)

Frames / front versions are marked colored. Smoke pipe adapter fixed on the side is available against surcharge.

Dimension sheet | **Architektur-Tunnel 53/135 lifting doors**



We suggest for CAD planing Palette CAD. Permanent updated drawings: [www.brunner.de](http://www.brunner.de)

Frames / front versions are marked colored. Smoke pipe adapter fixed on the side is available against surcharge.

# Planning and installation

## Architektur-Tunnel 53/135

Tested according to	EN 13229 W	EN 13229 W
Values measured at	nominal load	open door
Suitable for all construction types according to rules	OK	OK
<b>Data for functional demonstration</b>		
Rated heat power	kW 14,5	-
Firewood consumption	kg/h 4,3	4,3
Combustion performance	kW 18	18
Flue gas mass flow	g/s 18	100
Outlet temperature (before heating surface)	°C -	-
Flue gas temperature after		
attached steel smoke hood	°C 220	105
adjoining cast iron radiator (GNF10)	°C -	-
accumulation rings (MAS) <sup>1)</sup>	°C -	-
adjoining ceramic accumulator <sup>2)</sup>	°C -	-
ceramic modular accumulator (KMS system)	°C -	-
water boiler	°C -	-
Necessary supply pressure	Pa 13	6
Combustion air consumption	m <sup>3</sup> /h 45	235
Combustion air connection Ø	mm 160	-
<b>Heat distribution</b>		
Insert / heating surface	% 50 / -	- / -
Glass (single / double)	% 50 / -	- / -
Boiler	% -	-
<b>Cross-section of gratings for max. warm air power</b>		
Supply air	cm <sup>2</sup> 900	0
Warm air	cm <sup>2</sup> 900	0
<b>Minimal oven surface for closed construction type</b>		
Surface giving off heat	m <sup>2</sup> 4,9	-
<b>Space inside oven chamber</b>		
Distance to oven chamber wall	cm 8	8
Distance to floor	cm -	-
<b>Heat insulation without / with <sup>3)</sup> air gratings</b>		
Wall	cm 16 / 12	16 / 12
Floor	cm 4 / 2	4 / 2
Ceiling	cm 25 / 18	25 / 18
Insulation of additional fire door DHT	cm -	-
Brick lining of protected walls	cm 10	10
<b>Weight</b>		
Fireplace + burning chamber	kg	370 + 91
<b>Approvals</b>		
Germany / Austria / Switzerland	1.BImSchV (Stufe 1) / 15a BVG / LRV	

1) Throttle flap recommended

2) Approximate value, must be calculated eventually

3) Values with air gratings, stove casing is heat conducting

Ulrich Brunner GmbH  
Zellhuber Ring 17 -18  
D-84307 Eggenfelden  
Phone: +49 / (0)87 21 / 7 71-0  
Fax: +49 / (0)87 21 / 7 71-100  
info@brunner.de | www.brunner.de



BRUNNER products are offered and sold only by qualified dealers and service centres.  
Subject to technical and assortment changes. Errors excepted. (7/10)