



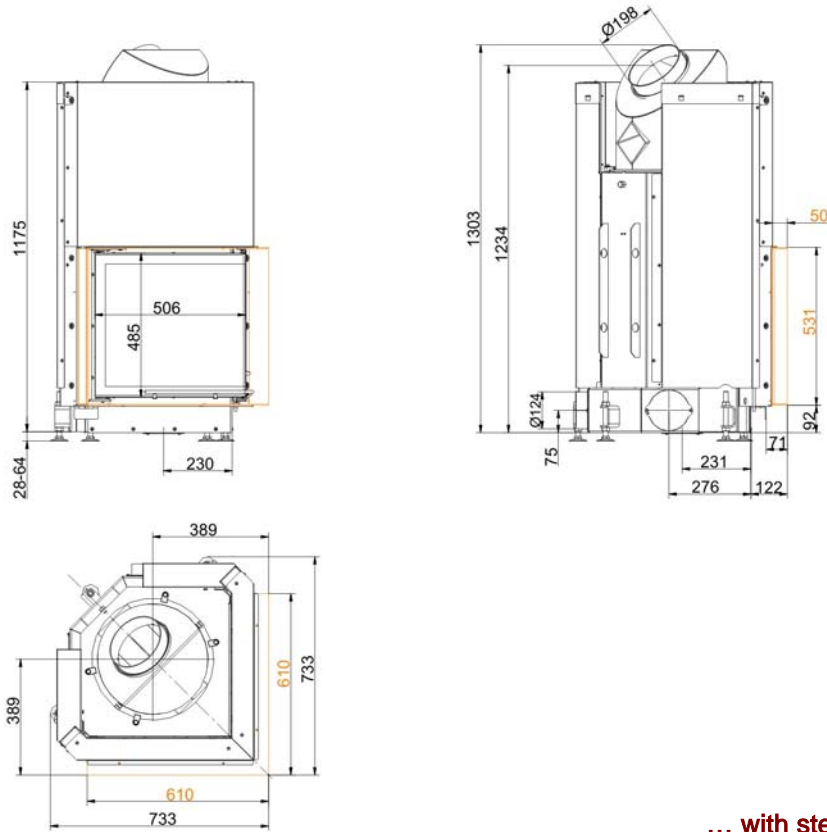
## Eck-Kamin 51/52/52 lifting doors

Version 4.3

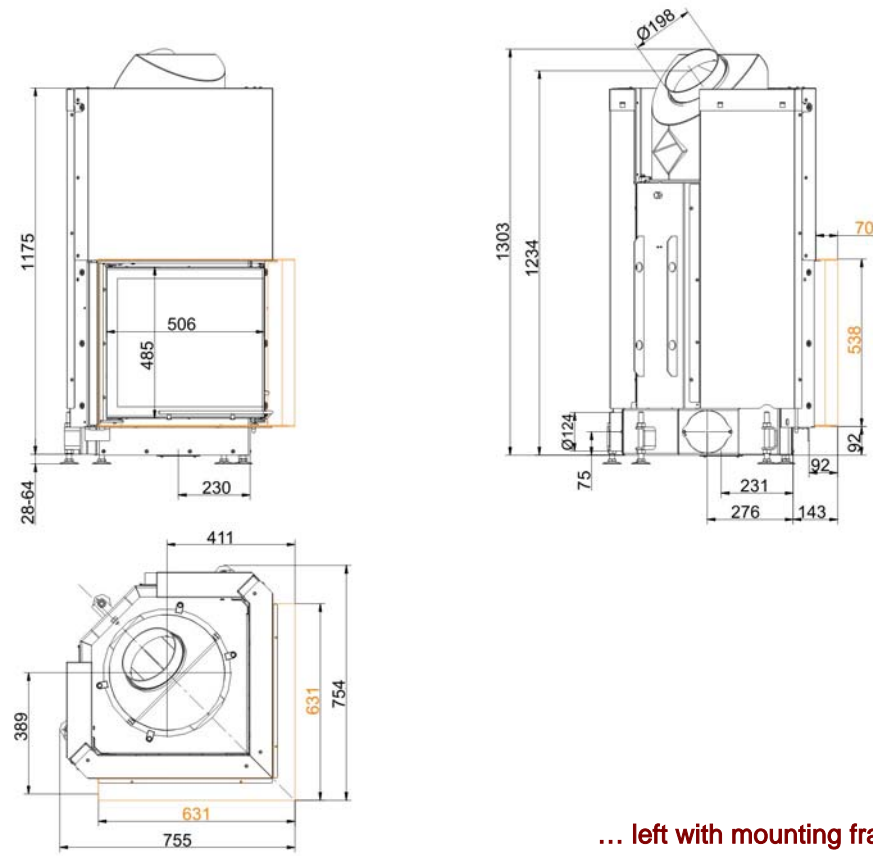


**BRUNNER**<sup>®</sup>  
*made in germany*

Dimension sheet | **Eck-Kamin 51/52/52 lifting doors**



... with steel smoke hood



... left with mounting frame 70 mm

# Planning and installation

## Eck-Kamin 51/52/52

Tested according to	EN 13229 W	EN 13229 WA	EN 13229 W	
Values measured at	nominal load	accumulation	open door	
Suitable for all construction types according to rules	OK	OK	OK	
<b>Data for functional demonstration</b>				
Rated heat power	kW	10	-	-
Firewood consumption	kg/h	3	5	3
Combustion performance	kW	13	22	13
Flue gas mass flow	g/s	12	21	81
Outlet temperature (before heating surface)	°C	-	340	-
Flue gas temperature after				
attached steel smoke hood	°C	210	246	116
1 x adjoining cast iron radiator (GNF10)	°C	-	124	-
6 x accumulation rings (MAS) <sup>1)</sup>	°C	-	210	-
2 m adjoining ceramic accumulator <sup>2)</sup>	°C	-	-	-
ceramic modular accumulator (KMS system)	°C	-	-	-
water boiler	°C	-	-	-
Necessary supply pressure	Pa	13	15	8
Combustion air consumption	m <sup>3</sup> /h	30	50	200
Combustion air connection Ø	mm	125	125	-
<b>Heat distribution</b>				
Insert / heating surface	%	25 / 30	25 / 30	- / -
Glass (single / double)	%	45 / -	45 / -	- / -
Boiler	%	-	-	-
<b>Cross-section of gratings for max. warm air power</b>				
Supply air	cm <sup>2</sup>	900	900	0
Warm air	cm <sup>2</sup>	900	900	0
<b>Minimal oven surface for closed construction type</b>				
Surface giving off heat	m <sup>2</sup>	4,0	4,0	-
<b>Space inside oven chamber</b>				
Distance to oven chamber wall	cm	8	8	8
Distance to floor	cm	15	15	15
<b>Heat insulation without / with <sup>3)</sup> air gratings</b>				
Wall	cm	14 / 10	14 / 10	14 / 10
Floor	cm	2 / 2	2 / 2	2 / 2
Ceiling	cm	16 / 12	16 / 12	16 / 12
Insulation of additional fire door DHT	cm	-	-	-
Brick lining of protected walls	cm	10	10	10
<b>Weight</b>				
Fireplace + burning chamber	kg		190 + 64	
<b>Approvals</b>				
Germany / Austria / Switzerland				1.BImSchV (Stufe 1) / 15a BVG / LRV

1) Throttle flap recommended

2) Approximate value, must be calculated eventually

3) Values with air gratings, stove casing is heat conducting

Ulrich Brunner GmbH  
Zellhuber Ring 17 -18  
D-84307 Eggenfelden  
Phone: +49 / (0)87 21 / 7 71-0  
Fax: +49 / (0)87 21 / 7 71-100  
info@brunner.de | www.brunner.de



BRUNNER products are offered and sold only by qualified dealers and service centres.  
Subject to technical and assortment changes. Errors excepted. (7/10)